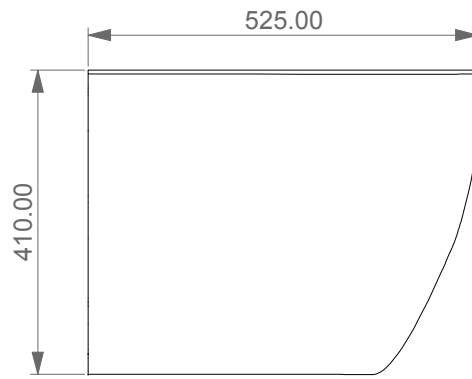


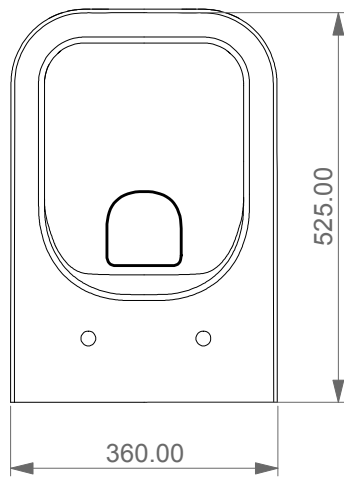
FRONT



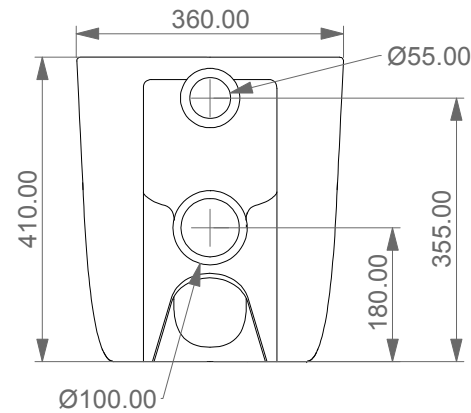
LEFT

GSG
CERAMIC DESIGN

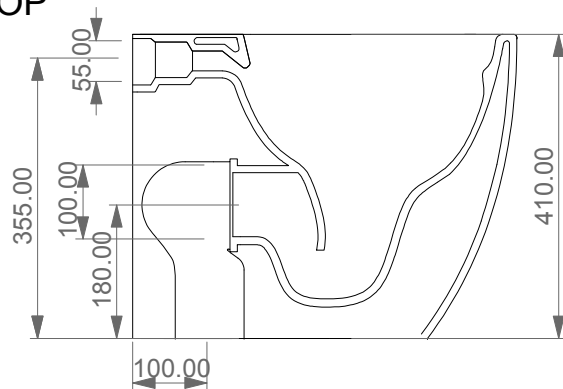
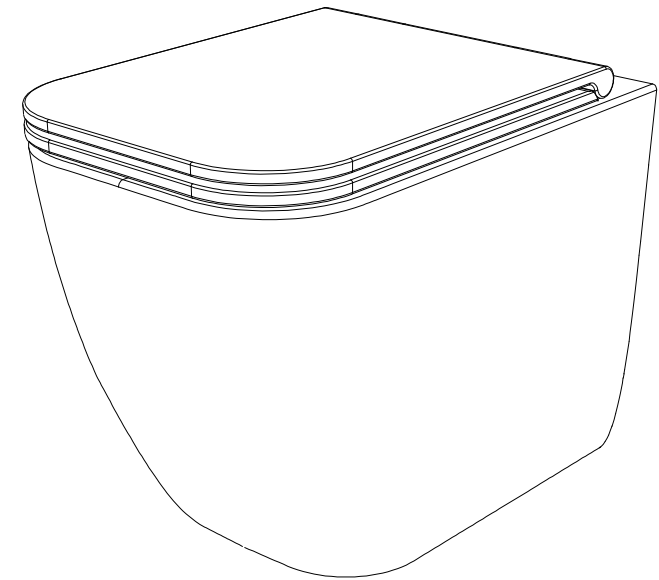
Vaso a terra Brio senza brida
con sistema di scarico Smart Clean
Brio wc back to wall rimless
Smart Clean flushing system



TOP



REAR



SECTION

Designation
Vaso a terra Brio senza brida
con sistema di scarico Smart Clean
Brio wc back to wall rimless
Smart Clean flushing system

Scale
1:10

cod. BRWC01

GSG
CERAMIC DESIGN

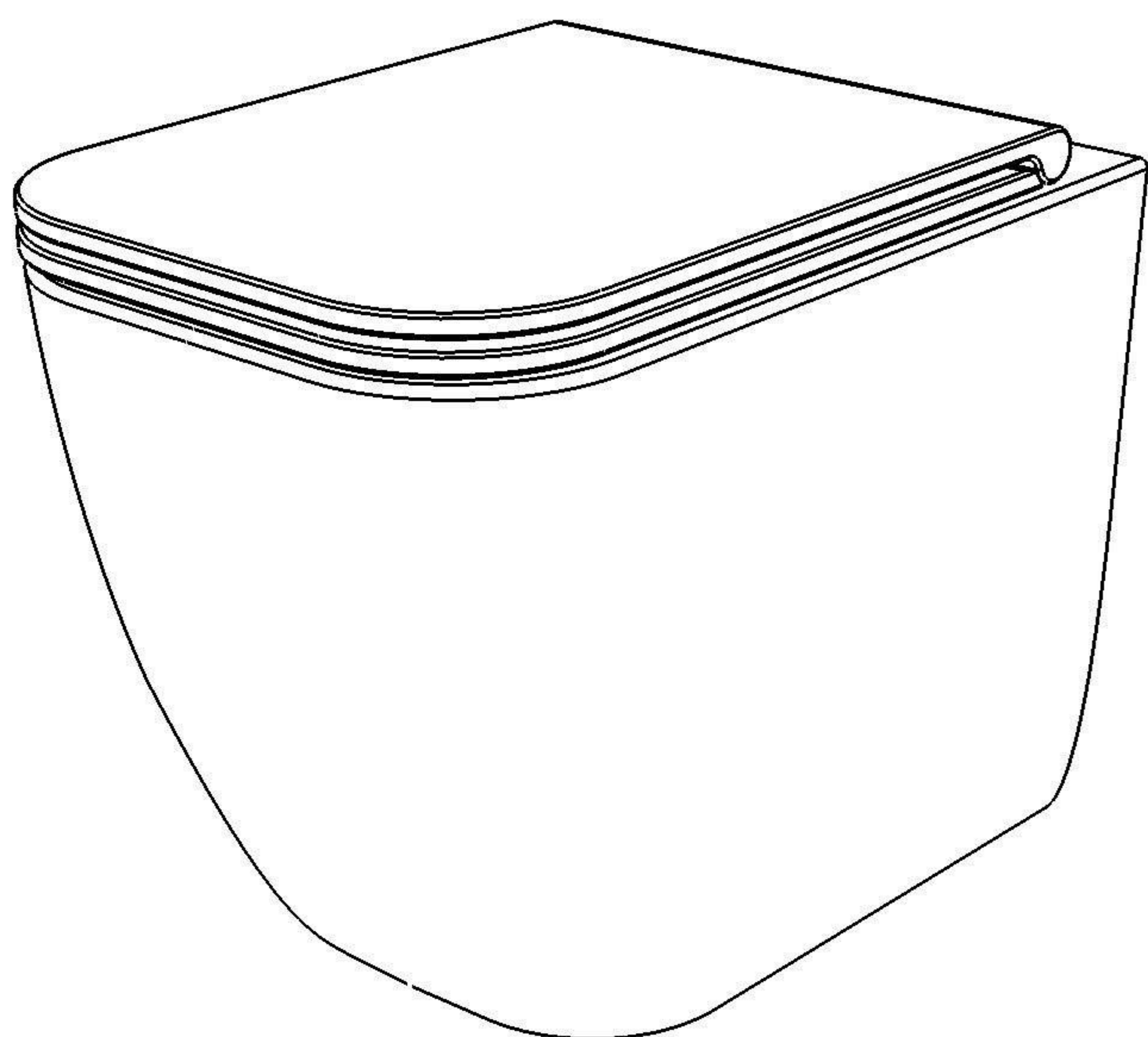
This drawing including the respected data may neither be duplicated nor modified nor altered without the consent of GSG Ceramic Design. The use of the data/technical drawings take place at users own risk and under exclusion of any liability of GSG Ceramic Design. The dimensions are not binding; products are subject to changes. Measurement shown may be subjected to small variations or are indicative.

GSG
CERAMIC DESIGN

Vaso a terra Brio con
sistema di scarico Smart Clean

*Brio wc back to wall with
Smart Clean flushing system*

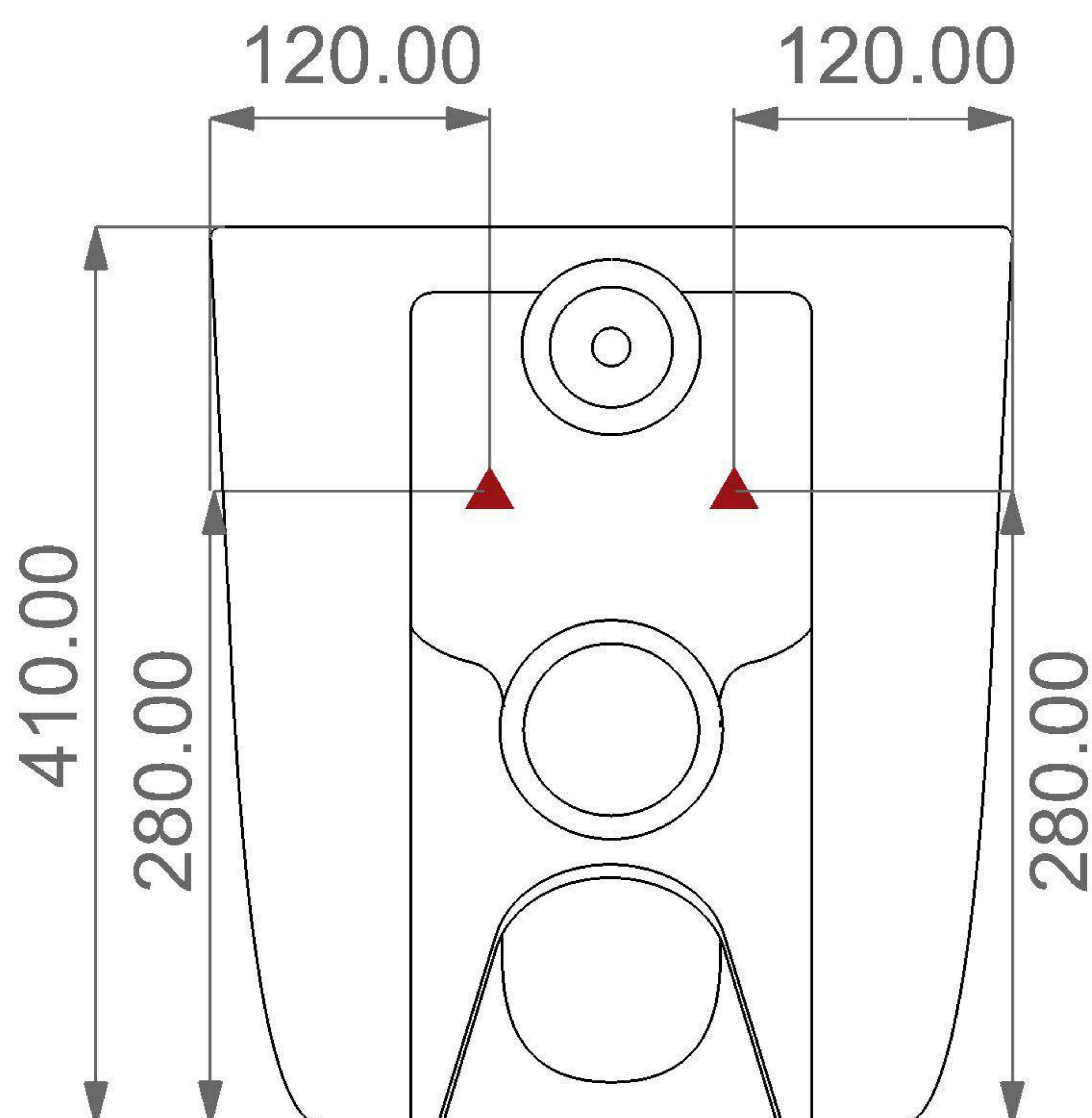
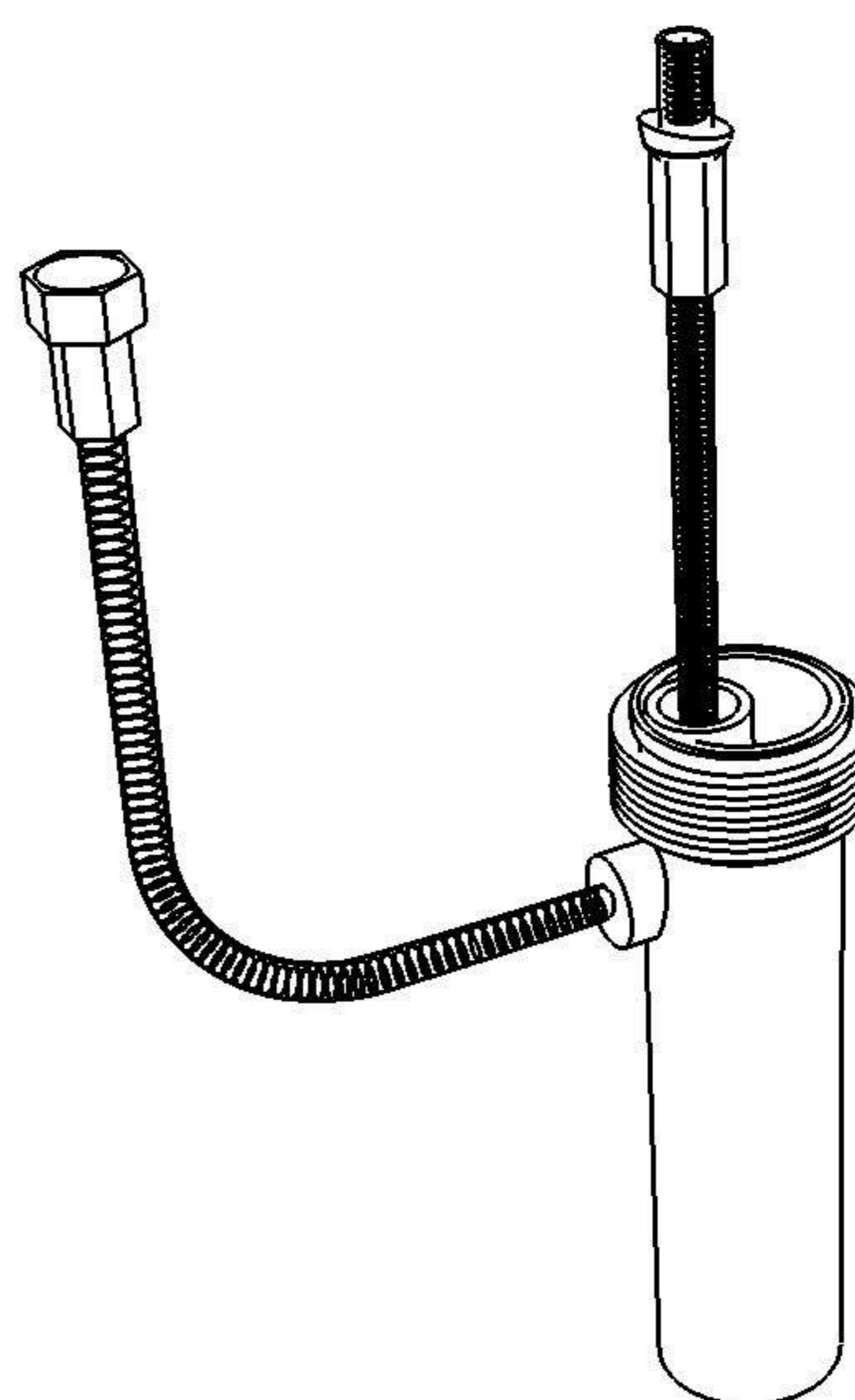
Cod. BRWC01



Dispositivo vaso/bidet

Wc/bidet device

Cod. ACS114



Predisposizione consigliata attacco
acqua, Dx o Sx, in caso di utilizzo
del dispositivo erogazione acqua
per funzione vaso/bidet
(Cod. ACS 114)

*Inlet water connection suggest,
left or right, in case of use of water
supply device for wc/bidet working
(Cod. ACS 114)*

