

ELI 100/S

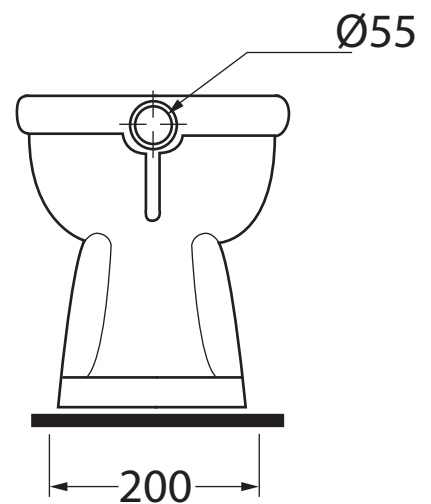
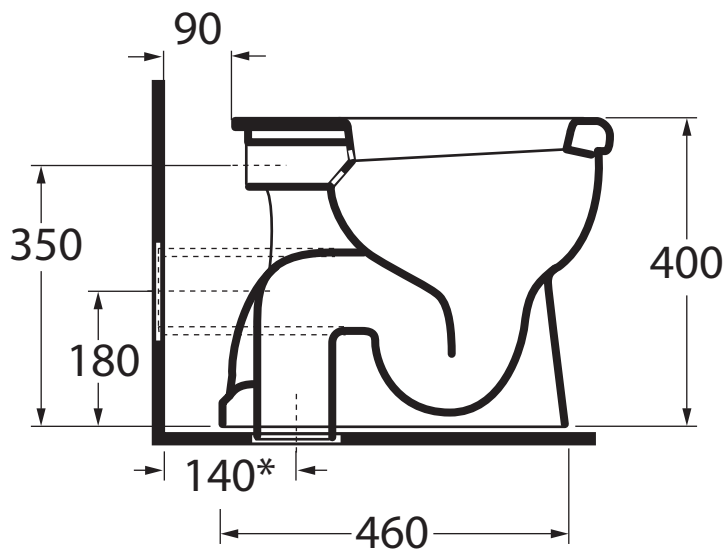
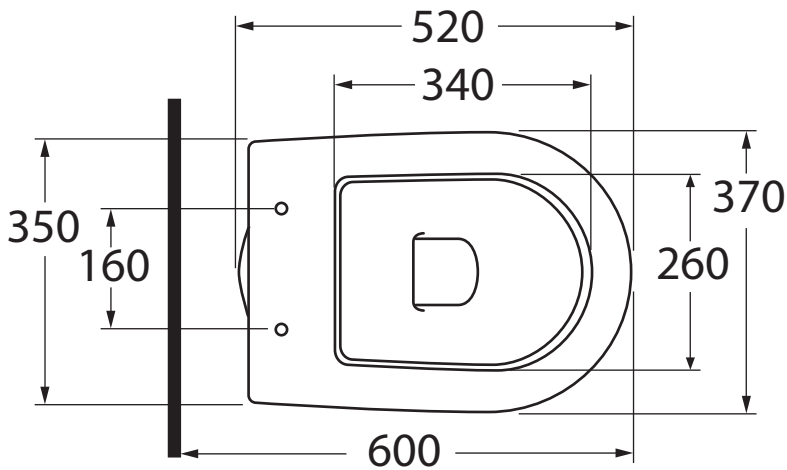
Vaso scarico a terra
W.c. with floor trap

Dimensioni/dimensions: 52x37xH40 cm
Peso/weight: 20 kg

ELI 100/P

Vaso scarico a parete
W.c. with wall trap

Dimensioni/dimensions: 52x37xH40 cm
Peso/weight: 20 kg



* Misura consigliata
Advised measure