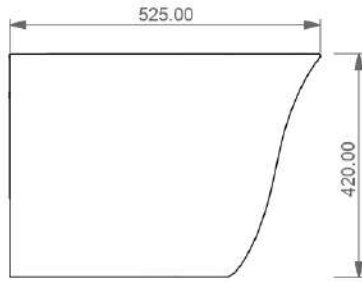
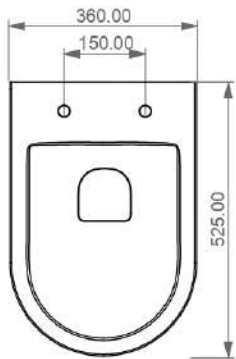


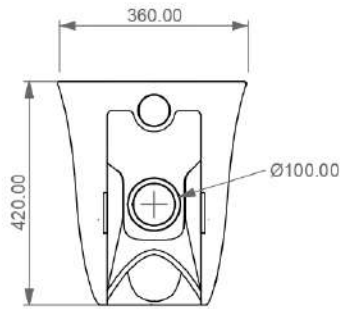
FRONT



LEFT



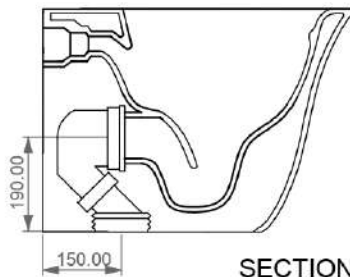
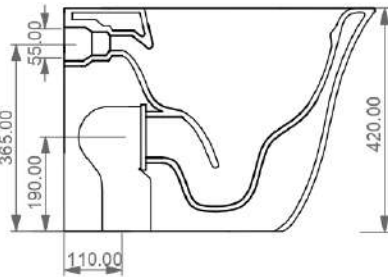
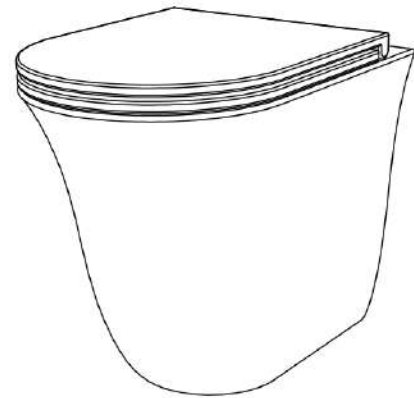
TOP



REAR

GSG
CERAMIC DESIGN

Vaso a terra flut senza brida
con sistema di scarico Smart Clean
Flut wc back to wall rimless
with Smart Clean flushing system



SECTION

Con connessione eccentrica per scarico a suolo.
With outlying drainage connector for floor trap.

Designation
**Vaso a terra flut senza brida
con sistema di scarico Smart Clean
Flut wc back to wall rimless
with Smart Clean flushing system**

Scale
1:10

cod. FLWC01

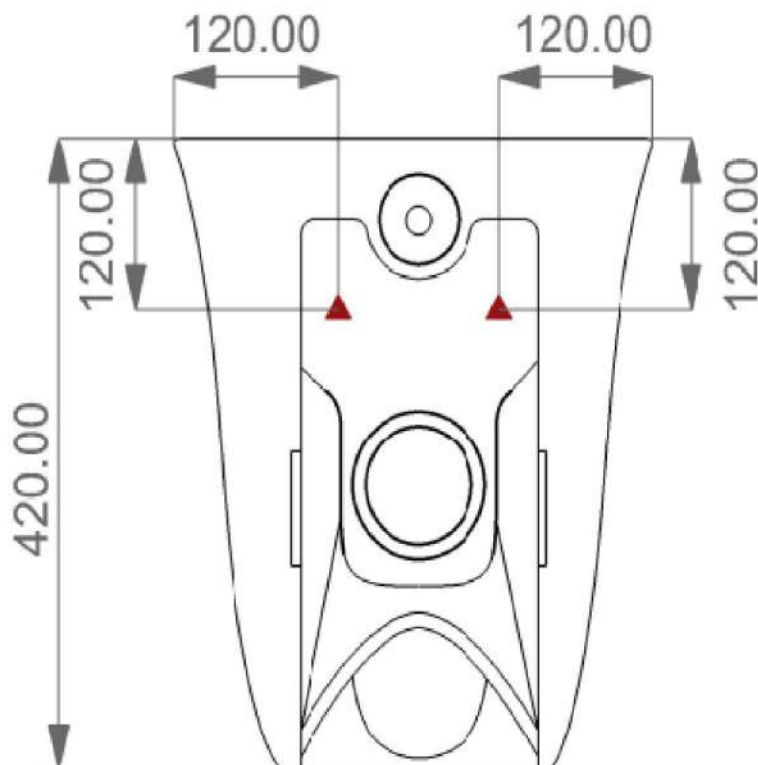
GSG
CERAMIC DESIGN

This drawing including the respected data may neither be duplicated nor modified nor altered without the consent of GSG Ceramic Design. The use of the data/technical drawings take place at users own risk and under exclusion of any liability of GSG Ceramic Design. The dimensions are not binding, products are subjected to changes. Measurement shown may be subjected to small variations or are indicative.

Vaso a terra Flut con
sistema di scarico Smart Clean

*Flut wc back to wall with
Smart Clean flushing system*

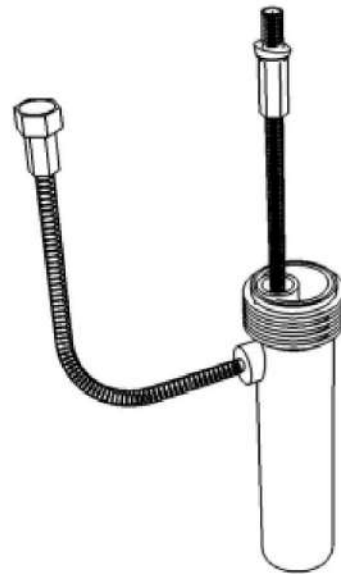
Cod. FLWC01



Dispositivo vaso/bidet

Wc/bidet device

Cod. ACS114



Predisposizione consigliata attacco
acqua, Dx o Sx, in caso di utilizzo
del dispositivo erogazione acqua
per funzione vaso/bidet
(Cod. ACS 114)

*Inlet water connection suggest,
left or right, in case of use of water
supply device for wc/bidet working
(Cod. ACS 114)*

